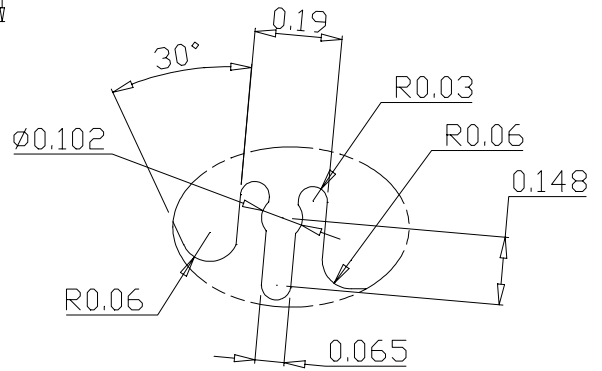
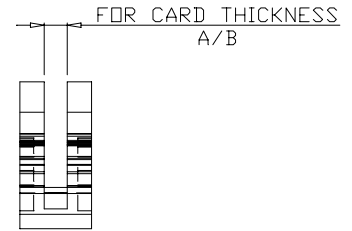
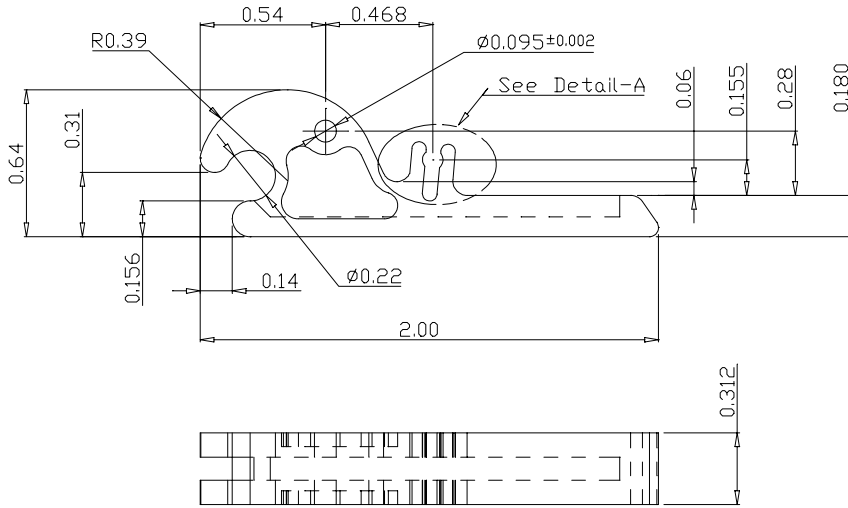
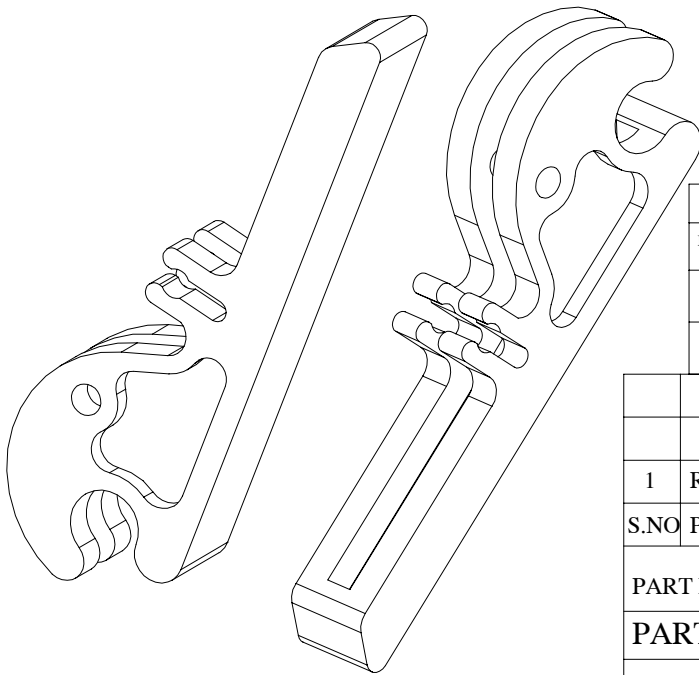


NOTE: ALL DIMNS. ARE IN INCHES



Scale 2:1  
Detail-A



**MATERIAL REFERENCE CHART**

MATERIAL CODE	MATERIAL DESCRIPTION
*	Nylon 6/6, UL E39806 M, Meets UL94-V2 & Mil. Spec. M20693, Stock Color: Natural.
H	Nylon 6/6, Flame Retardant, UL E44600 M, Meets UL94-V0, Stock Color: Natural.

S.NO	PART NO	CARD THICK.	MOUNTING PIN	MATERIAL CODE
1	R1037-A	0.062	Ø3/32 x 5/16	
PART NAME: INSERTER-EXTRACTOR				DATE
PART NO : R 1037-A				SIGN
SHEET 1 OF 1				DAVID
DO NOT SCALE THE DRAWING				
TOLERANCE				
.X = ± 0.020				
.XX = ± 0.010				
.XXX = ± 0.005				

**MICRO DIMENSIONAL INC.**  
548 NORTH TROOPER ROAD. NORRISTOWN, PA 19403