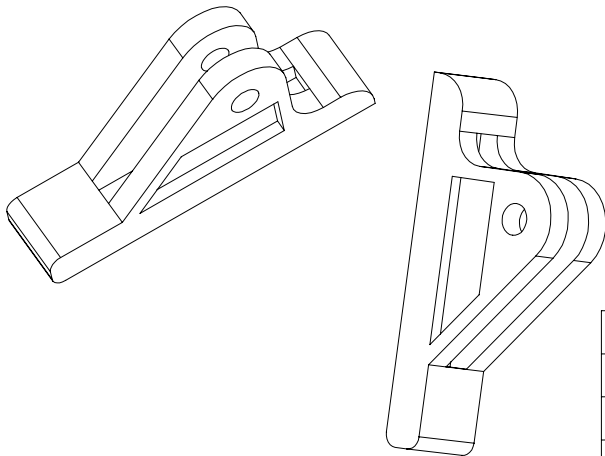
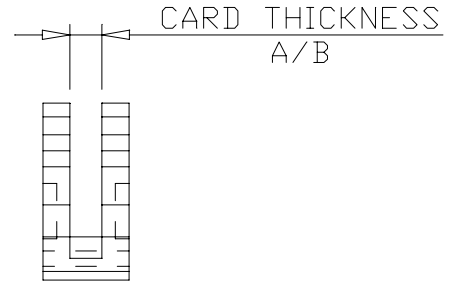
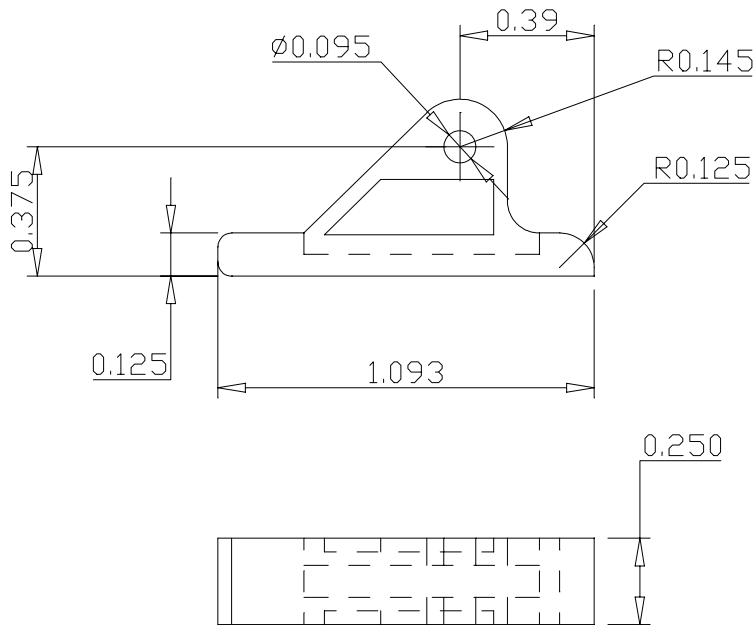


NOTE: ALL DIMNS. ARE IN INCHES ONLY



MATERIAL REFERENCE CHART

MATERIAL CODE	MATERIAL DESCRIPTION
*	Nylon 6/6, UL E39806 M, Meets UL94-V2 & Mil. Spec. M20693, Stock Color: Natural.

S.NO	PART NO	CARD THICK.	MOUNTING PIN	MATERIAL CODE
2	R1004-B	0.093	Ø3/32 x 1/4	*
1	R1004-A	0.062	Ø3/32 x 1/4	*

PART NAME: EJECTOR		DATE	SIGN
DRN. BY			SHAQK
PART NO : R 1004-(A/B)		CHK. BY	DAVID

SHEET 1 OF 1	DO NOT SCALE THE DRAWING	TOLERANCE
		.X = ± 0.020
		.XX = ± 0.010
		.XXX = ± 0.005

MICRO DIMENSIONAL INC.
548 NORTH TROOPER ROAD. NORRISTOWN, PA 19403