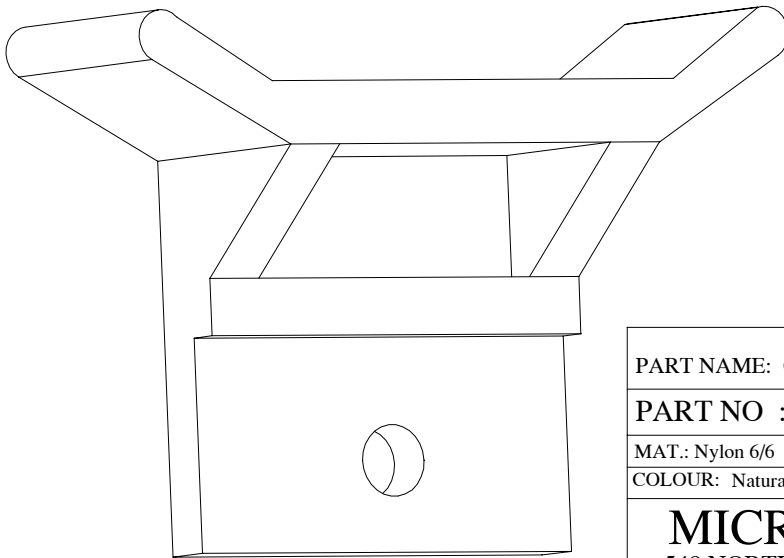
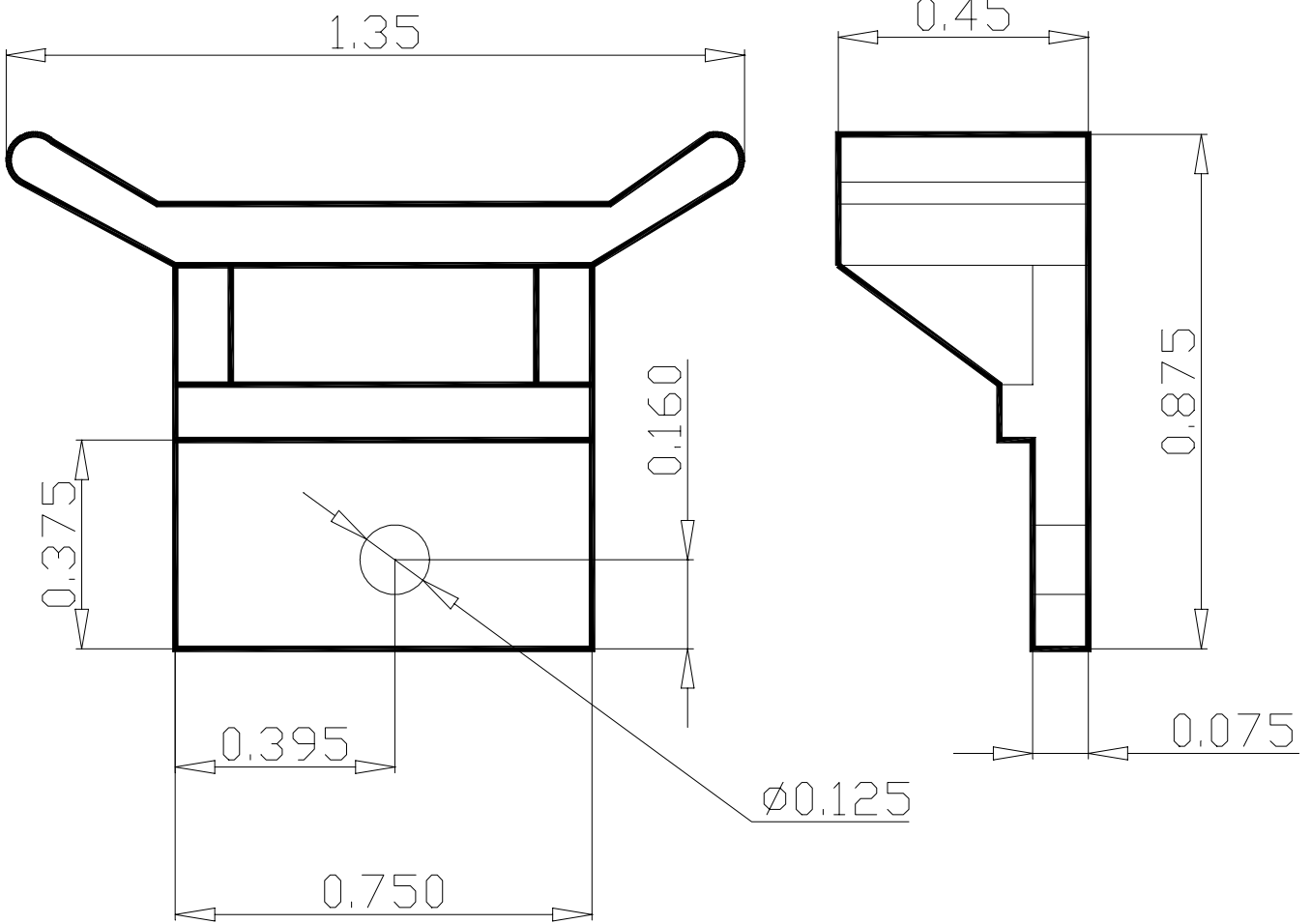


NOTE: ALL DIMNS. ARE IN INCHES



**MATERIAL SPECIFICATION**

MATERIAL CODE	MATERIAL DESCRIPTION
*	NYLON 6/6, UL E39806 M, Meets UL94 V2 & Mil. Spec. m20693, Stock color Natural

PART NAME: CARD PULLERS		DATE	SIGN
PART NO : R1008		DRN. BY	SHAQK
MAT.: Nylon 6/6		CHK. BY	DAVID
COLOUR: Natural	DO NOT SCALE THE DRAWING	TOLERANCE	.X = ± 0.020 .XX = ± 0.010 .XXX = ± 0.005

**MICRO DIMENSIONAL INC.**  
548 NORTH TROOPER ROAD. NORRISTOWN, PA 19403