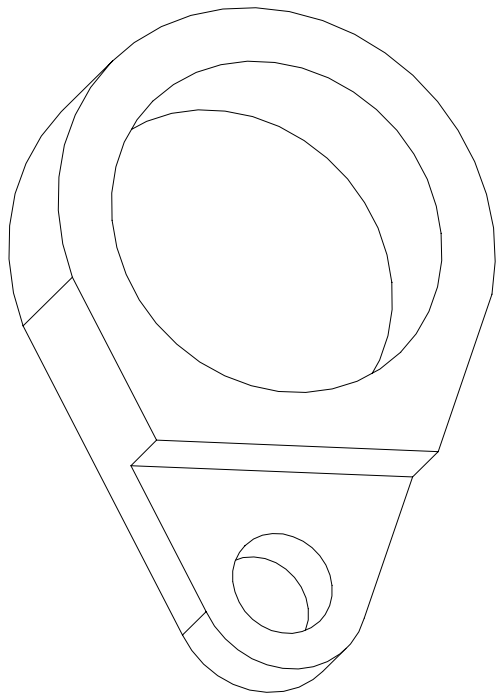
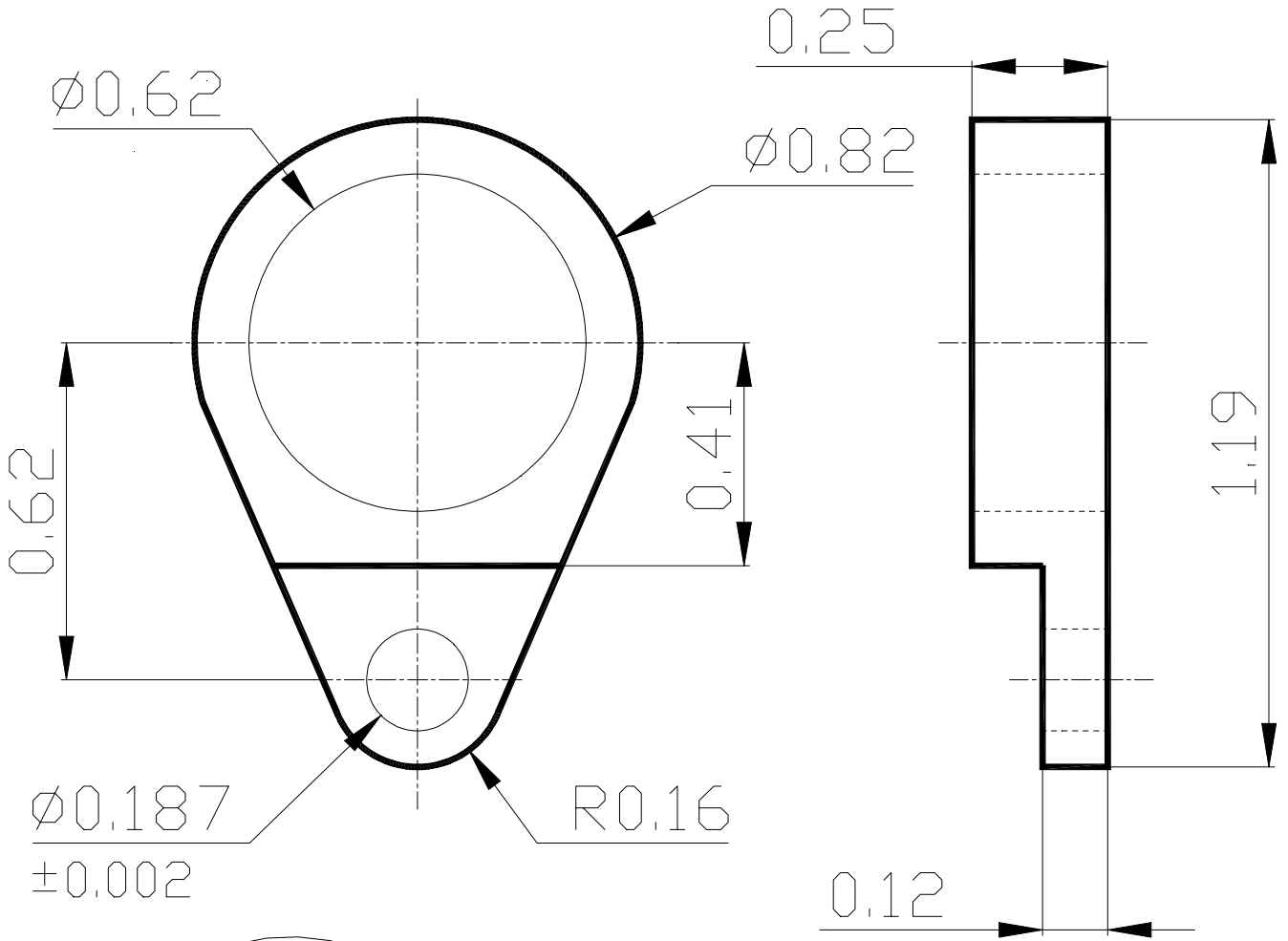


NOTE: ALL DIMNS. ARE IN INCHES



**MATERIAL SPECIFICATION**

| MATERIAL CODE | MATERIAL DESCRIPTION   |
|---------------|--|
| *             | NYLON 6/6, UL E39806 M, Meets UL94 V2 & Mil. Spec. m20693, Stock color Natural |

| PART NAME: CARD PULLERS |                          | DATE      | SIGN               |
|-------------------------|--------------------------|-----------|--------------------|
| PART NO : R1017         |                          | DRN. BY   | SHAQK              |
|                         |                          | CHK. BY   | DAVID              |
| MAT.: Nylon 6/6         | DO NOT SCALE THE DRAWING | TOLERANCE | .X = $\pm 0.020$   |
| COLOUR: Natural         |                          |           | .XX = $\pm 0.010$  |
|                         |                          |           | .XXX = $\pm 0.005$ |

**MICRO DIMENSIONAL INC.**  
548 NORTH TROOPER ROAD. NORRISTOWN, PA 19403