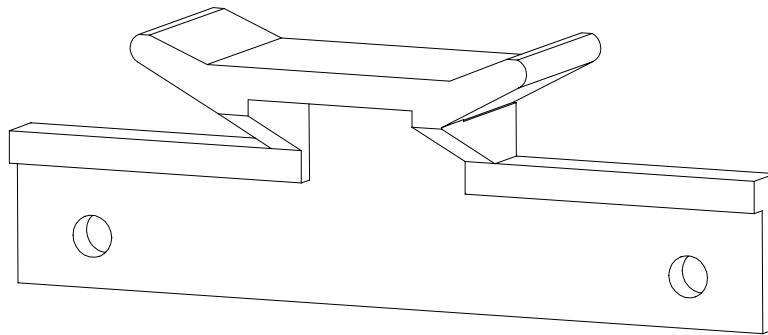
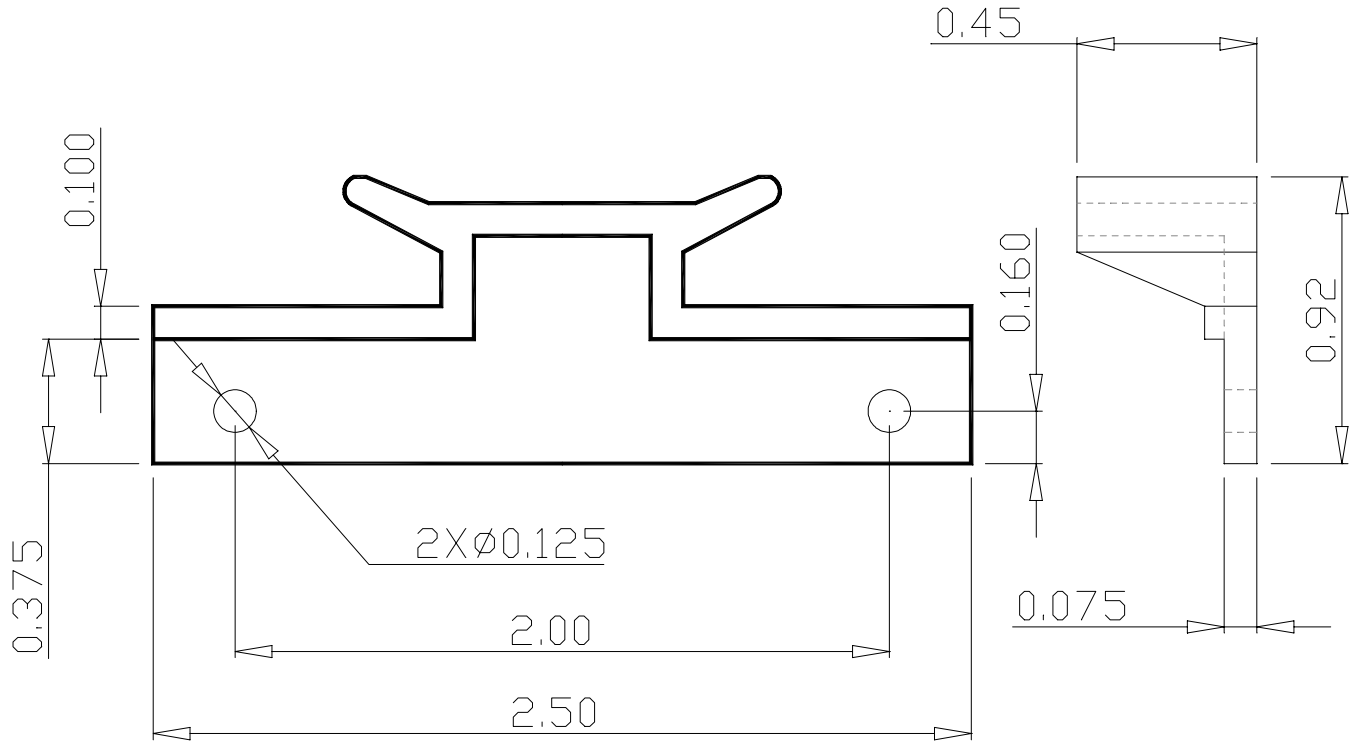


NOTE: ALL DIMNS. ARE IN INCHES



MATERIAL SPECIFICATION

MATERIAL CODE	MATERIAL DESCRIPTION
*	NYLON 6/6, UL E39806 M, Meets UL94 V2 & Mil. Spec. m20693, Stock color Natural

PART NAME: CARD PULLERS		DATE	SIGN
PART NO : R1005		DRN. BY	SHAQK
SHEET 1 OF 1		CHK. BY	DAVID
DO NOT SCALE THE DRAWING		TOLERANCE	.X = ± 0.020 .XX = ± 0.010 .XXX = ± 0.005

MICRO DIMENSIONAL INC.
548 NORTH TROOPER ROAD, NORRISTOWN, PA 19403